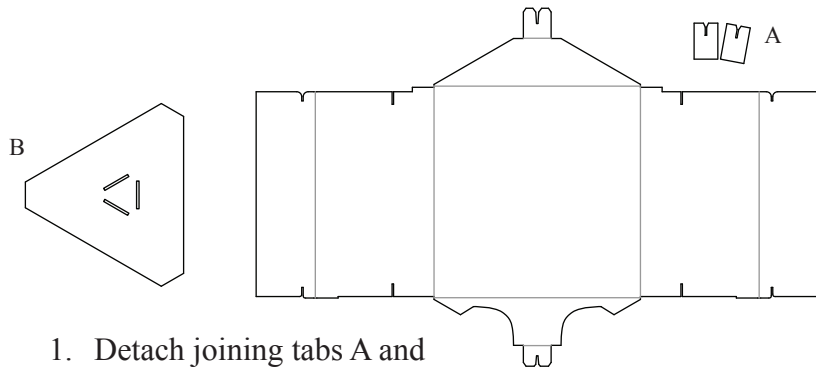
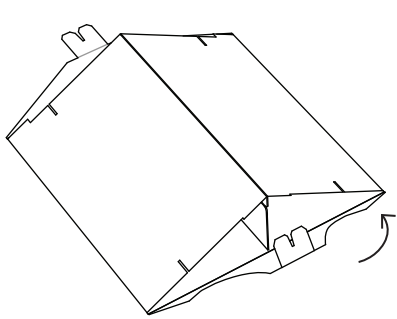
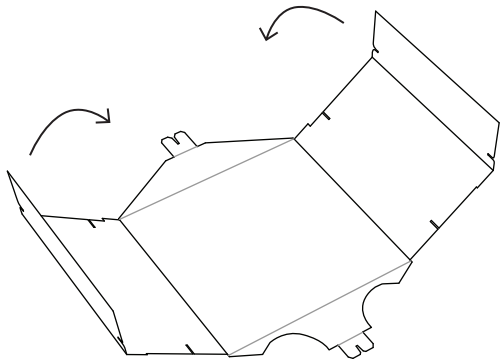


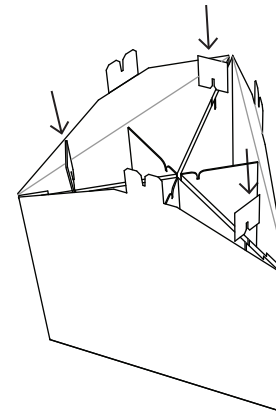
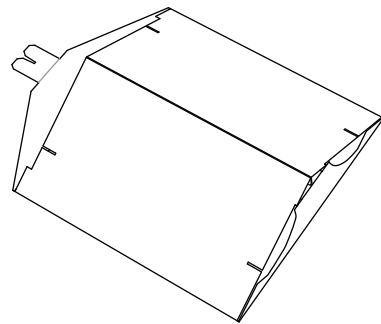
Freefold Stool Assembly Instructions



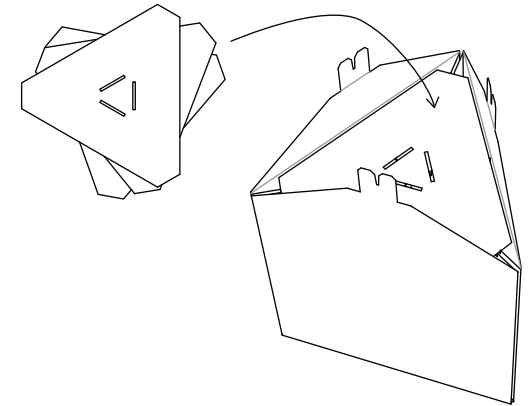
1. Detach joining tabs A and seat B



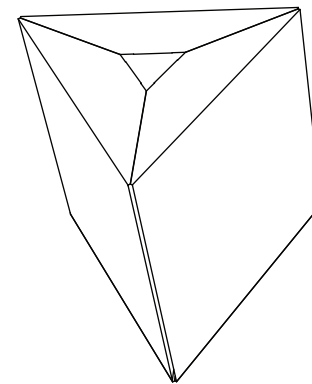
2. Fold sides in towards each other and fold and insert bottom tab.



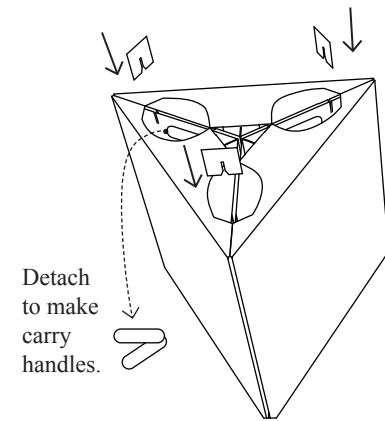
3. Repeat step 2, arrange as shown and insert three joining tabs.



4. Insert all three seat pieces.



5. Fold and insert top tabs.



6. Turn upsidedown and insert remaining joining tabs.

